

AVIATOR

Table Top Fabric Displays

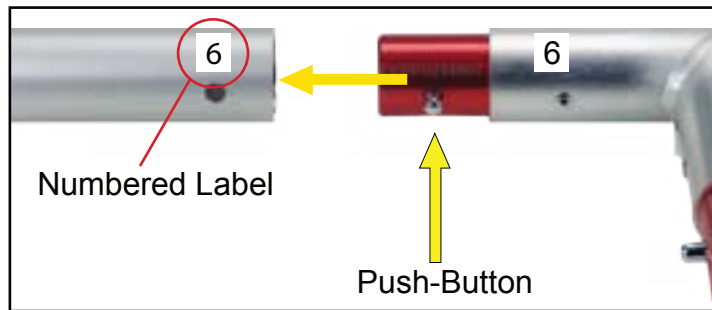
Using Your Setup Instructions

The Aviator TableTop Setup Instructions are created specifically for your configuration. They include an exploded view of the frame which is sequentially numbered. We encourage you to study the instructions before attempting to assemble your exhibit.

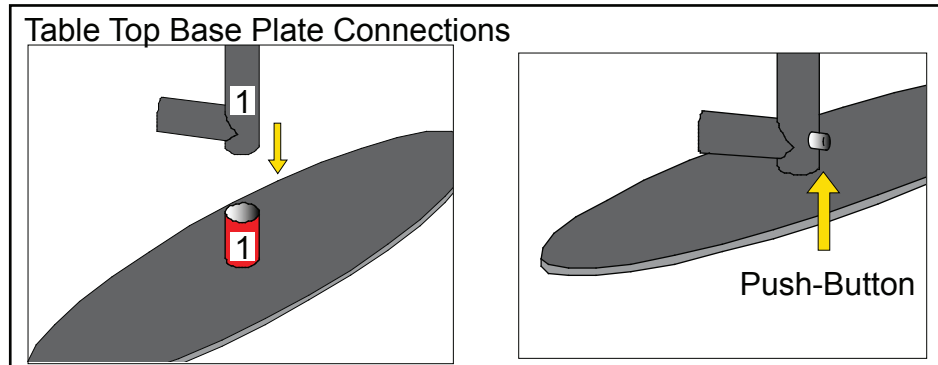
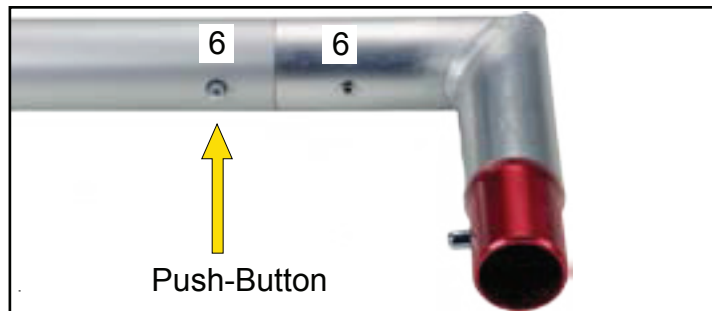
Push-button connectors and pre-connected horizontal sections make assembly very simple. No tools are required.

Cleaning and Packing Your Display

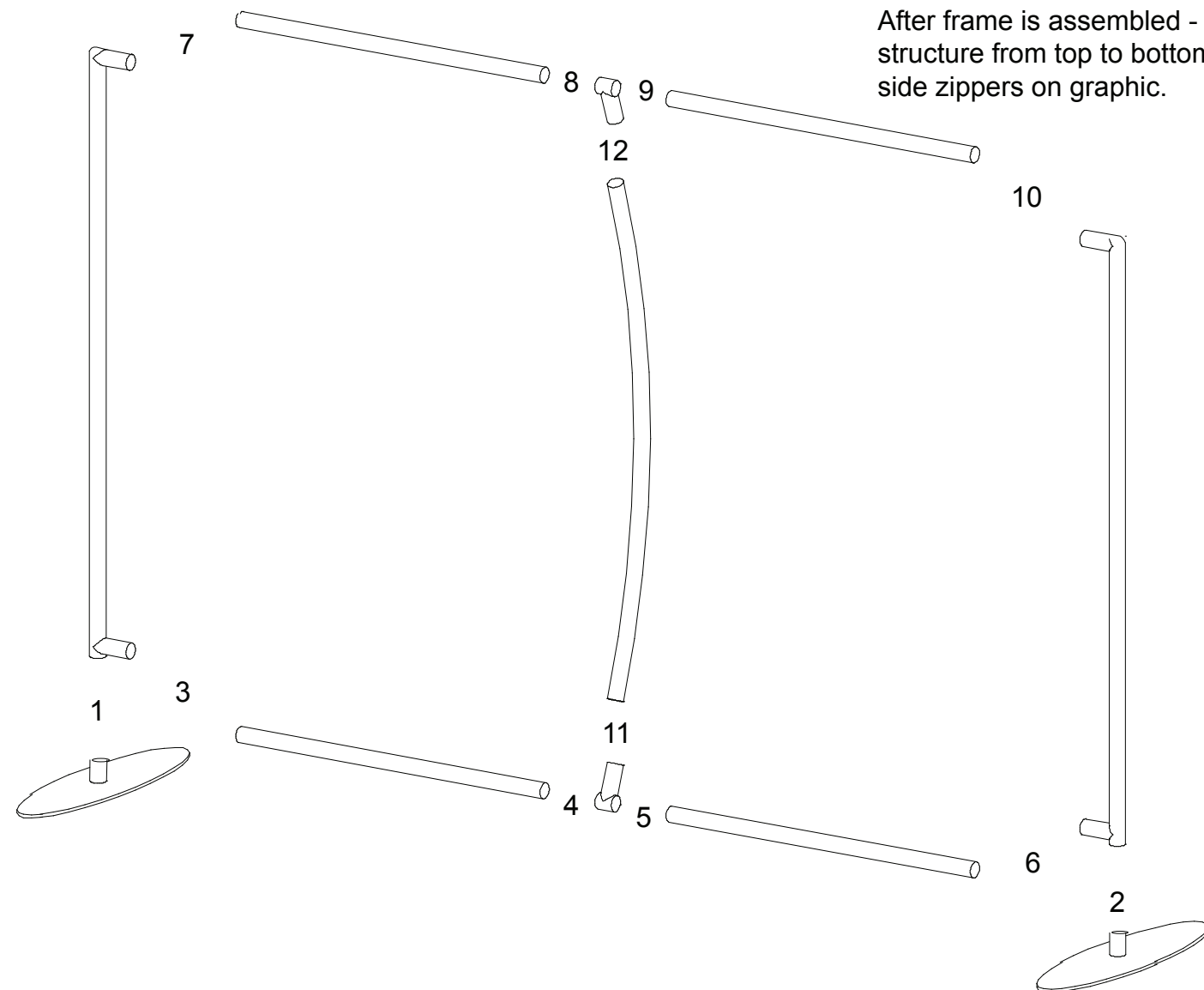
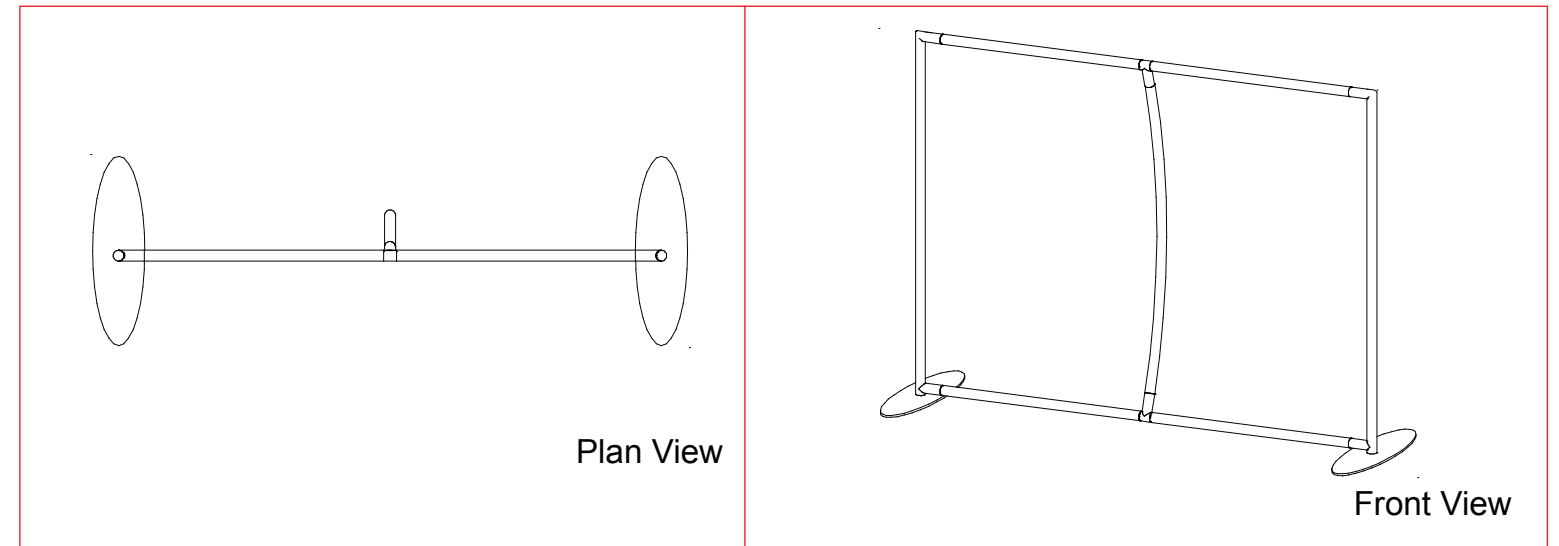
- 1) Use care when cleaning aluminum extrusion or acrylic inserts. Use only non-abrasive cleaners.
- 2) Retain all packing material. It will make re-packing much easier and will reduce the likelihood of shipping damage.



Connections are made by holding the button down and sliding the red tube into the opposing tube until it locks in place. To disassemble, push button and pull or twist extrusions apart.



Base Plate Connections are made by holding the button down and sliding the red tube into the opposing tube on base until it locks in place.



- Steps:
- 1) Attach Base Plates [1,2] to verticals as shown.
 - 2) Assemble pieces 3 thru 12 together as shown.
- After frame is assembled - Slip pillowcase over structure from top to bottom and zip bottom and/or side zippers on graphic.

** Occasionally spraying a silicon lubricant to the metal connections will make assembly easier.